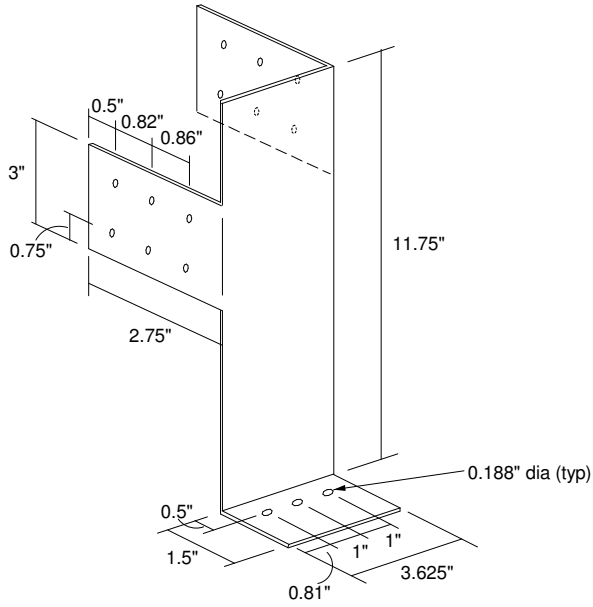
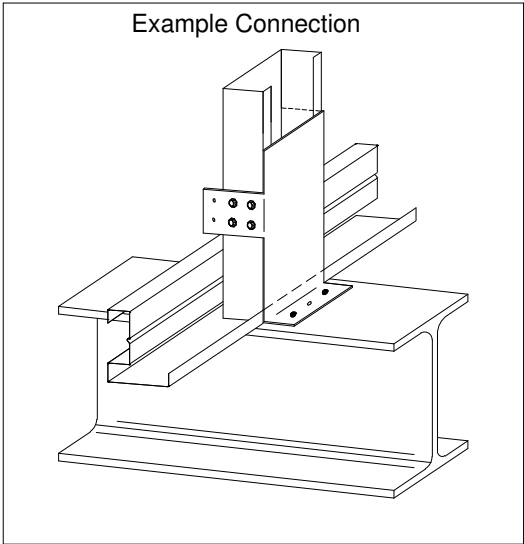
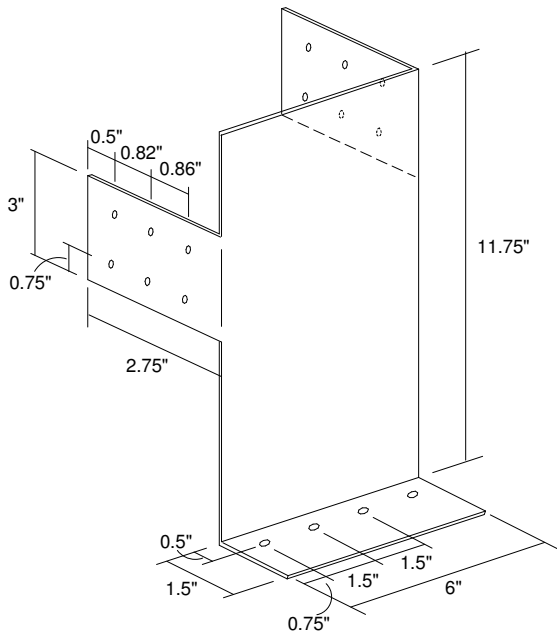


1224HD14

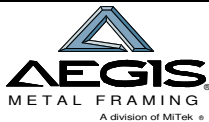


1226HD14



	Material Thickness	Maximum Uplift Single Clip	Maximum Uplift Double Clip ³
1224HD14	073 mil	1450 lbs	3860 lbs
1226HD14	073 mil	2400 lbs ²	6400 lbs ²

1. Attachment to support to be designed by qualified registered design professional.
2. Max uplift dependent on fastener configuration.
3. Double clip attaches to both sides of truss



www.AegisMetalFraming.com
 14515 N. Outer 40 Drive - Suite 110
 Chesterfield, MO 63017
 Phone: (866) 902-3447 Fax: (314) 434-5234

1224HD14/1226HD14
 HOLD DOWN CLIP

DETAIL NO.

122xHD

CATEGORY

Connector

DATE

3/2012