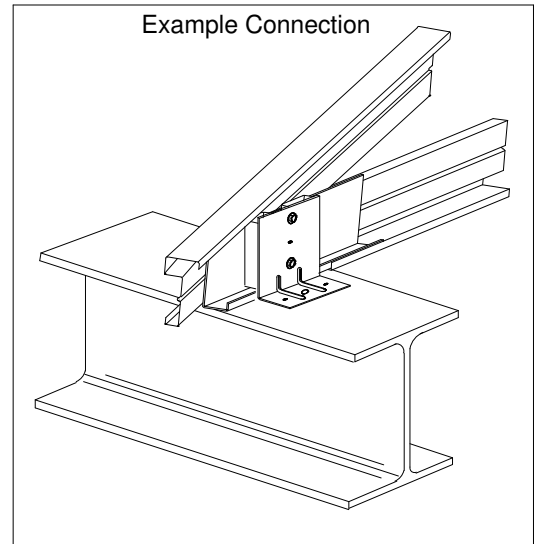
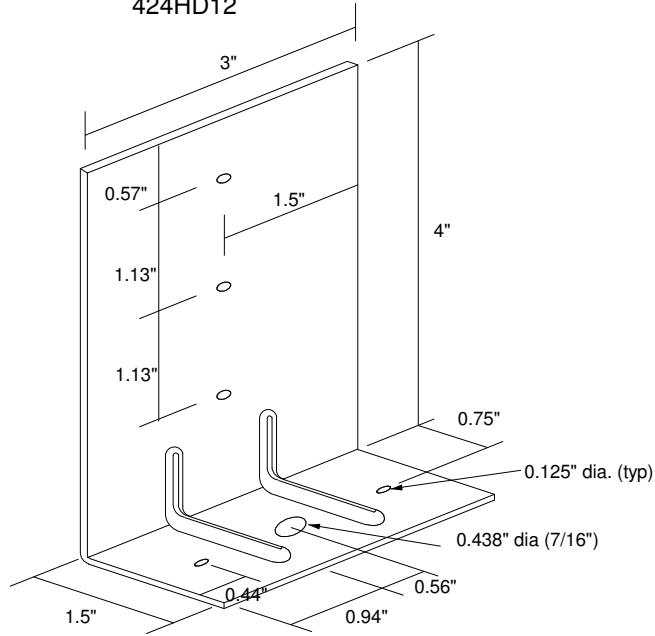
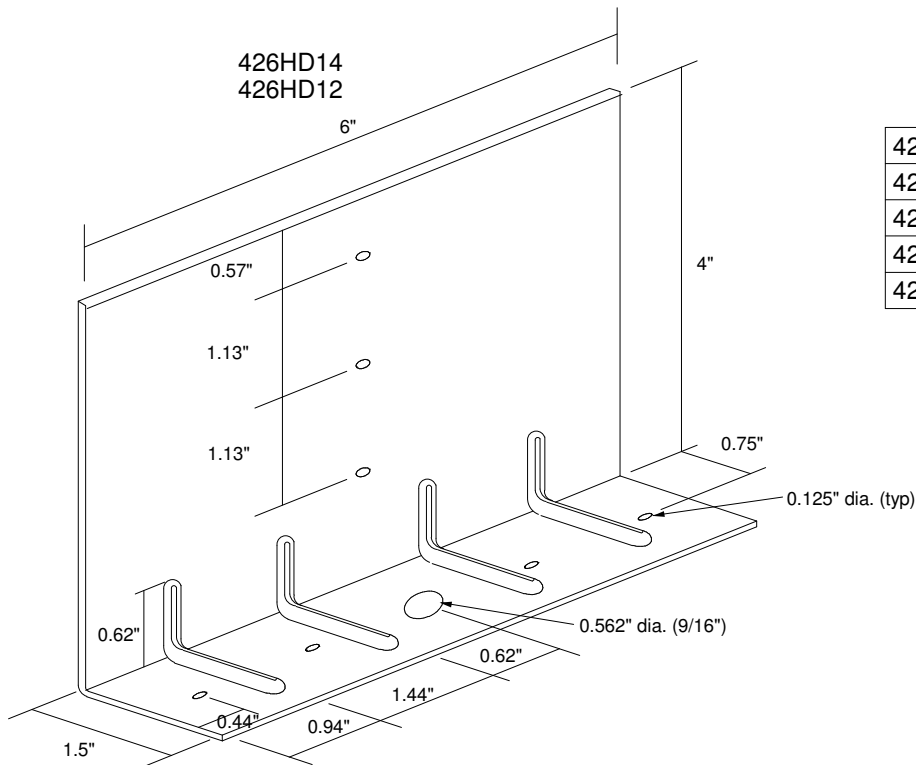


423HD16
423HD14
424HD12

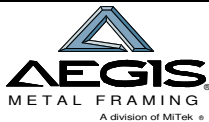


426HD14
426HD12



	Material Thickness	Maximum Uplift
423HD16	057 mil	650 lbs
423HD14	073 mil	1210 lbs ²
423HD12	097 mil	1400 lbs
426HD14	073 mil	2105 lbs ²
426HD12	097 mil	2955 lbs ²

1. Attachment to support to be designed by qualified registered design professional.
2. Max uplift dependent on fastener configuration.



www.AegisMetalFraming.com
14515 N. Outer 40 Drive - Suite 110
Chesterfield, MO 63017
Phone: (866) 902-3447 Fax: (314) 434-5234

423HD16/423HD14/423HD12
426HD14/426HD12
HOLD DOWN CLIP

DETAIL NO.

42xHD

CATEGORY

Connector

DATE

8/2012