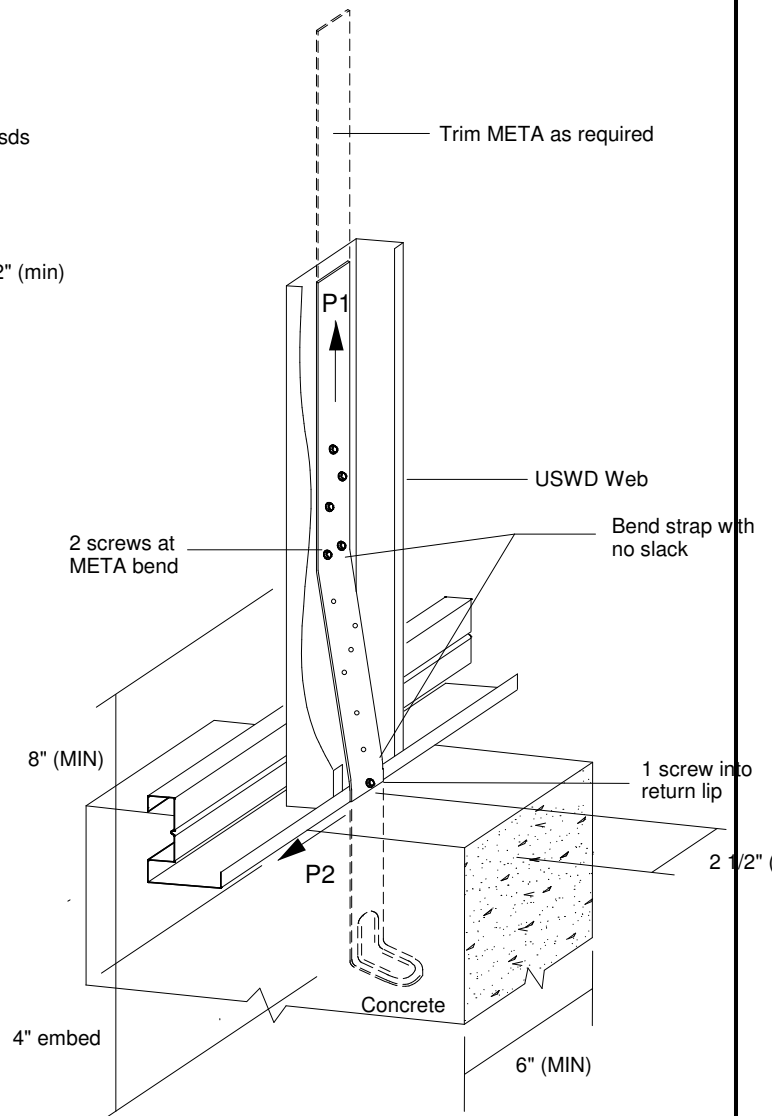


MAXIMUM UPLIFT, P1 = 1450 LBS  
 MAXIMUM HORIZONTAL, P2 = 630 lbs



| MAXIMUM CAPACITY (LBS) |                              |           |          |
|------------------------|------------------------------|-----------|----------|
| Web                    | #10 SDS <sup>1</sup> (total) | UPLIFT P1 | HORIZ P2 |
| 035                    | 2                            | 400       | 240      |
|                        | 4                            | 800       | 240      |
|                        | 5                            | 990       | 240      |
| 046                    | 2                            | 650       | 400      |
|                        | 4                            | 1320      | 400      |
|                        | 5                            | 1450      | 400      |
| 057                    | 2                            | 875       | 470      |
|                        | 4                            | 1450      | 470      |
| 073                    | 2                            | 910       | 470      |
|                        | 4                            | 1450      | 470      |

<sup>1</sup> Total does not include screw in return lip

- 1) Min. screw spacing & edge distance = 9/16".
- 2) Min. META Spacing = 8",  
Min. META Edge Distance = 2-1/2"
- 3) Refer to the Simpson Catalog for installation requirements and application limits. Equivalent connector may be substituted.
- 4) This detail does not indicate or imply that the depicted bearing is structurally adequate for the loads shown. Design of bearing is req'd.
- 5) Max. Reactions shown are non-concurrent.



METAL FRAMING, a division of MITE®

www.AEGISMETALFRAMING.COM

14515 N. Outer 40 Drive Suite 110  
 Chesterfield, MO 63017  
 Phone:866/902-3447 Fax:314/434-5234

## USD TRUSS TO BEARING CONNECTION SIMPSON META STRAP - CONCRETE

DETAIL NO.

# D-CON-7

CATEGORY

STANDARD DETAILS

DATE

3/3/09