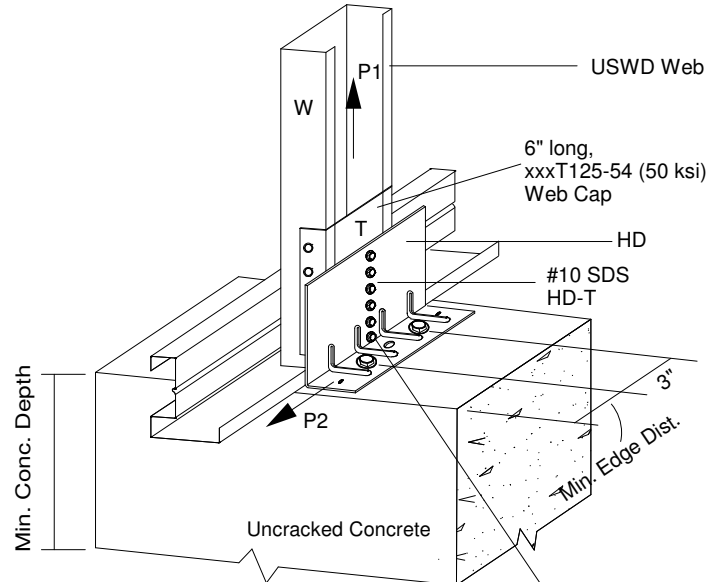


MAXIMUM CAPACITY (LBS) - UNCRACKED CONCRETE							
	FASTENER DIA. X EMBED.	MIN. CONC. (PSI)	MIN. EDGE DIST. (IN)	MIN. CONC. DEPTH (IN)	#10 SDS T-W	#10 SDS HD-T	UPLIFT P1
423HD16	KWIK HUS (KH) 3/8" X 2-1/2"	3000	2	4	4	2	650
		4000	1.75				
	KWIK BOLT 3 3/8" X 2"	3000	2.25				
		4000	2				
423HD14	KWIK HUS (KH) 3/8" X 2-1/2"	3000	3	4	6	3	1210
		4000	2.5				
	KWIK BOLT 3 3/8" X 2"	3000	3.75				
		4000	3.25				
423HD12	KWIK HUS (KH) 3/8" X 3-1/4"	3000	3.25	5	6	3	1400
		4000	2.75				
	KWIK BOLT 3 3/8" X 2"	3000	4				
		4000	3.25				
426HD14	KWIK HUS (KH) 1/2" X 3"	3000	4	5	6	4	1630
		4000	3.25				
	KWIK BOLT 3 1/2" X 3-1/4"	3000	4	6	6	4	1630 (3030)
		4000	3.5				
	(2) HIT HY 150 MAX+ HAS 3/8" X 3" ¹	3000	2.5	6	8	5	2105 (3325)
		4000	2.5				
	(2) KWIK HUS (KH) 3/8" X 3-1/4" ¹	3000	3.25	5	8	5	2105 (3815)
		4000	2.75				
426HD12	KWIK HUS (KH) 1/2" X 4-1/4"	3000	4.25	6	10	5	2270 (4215)
		4000	3.75				
	HIT HY 150 MAX+ HAS 1/2" X 2-3/4"	3000	4.25	6	10	5	2270 (4345)
		4000	3.5				
	(2) HIT HY 150 MAX+ HAS 3/8" X 3" ¹	3000	4	5	12	6	2955 (4340)
		4000	3.5				
	(2) KWIK HUS (KH) 1/2" X 4-1/4" ¹	3000	4	6.75	12	6	2955 (5445)
		4000	3.5				

¹ Two fastener spacing = 3" centered on clip



Horizontal Reaction, P2 = 155 lbs
Horizontal Reaction increased to 395 lbs
w/ (1) #10 sds installed into return lip
(Reactions may be doubled for 2 ply trusses)

- 1) Min. screw spacing & edge distance = 9/16".
- 2) Refer to the Hilti Product Technical Guide for installation requirements and application limits.
- 3) HD product specified is manufactured by Aegis Metal Framing. Any substitution is prohibited.
- 4) Single fastener to be placed in center hole in HD.
- 5) This detail does not indicate or imply that the depicted bearing is structurally adequate for the loads shown. Design of bearing is req'd.
- 6) For 2-ply trusses reactions may be doubled unless otherwise noted in parenthesis.
- 7) Max Reactions shown are non-concurrent
- 8) Designed in accordance with ACI 318-08 App. D



www.AegisMetalFraming.com
14515 N. Outer 40 Drive - Suite 110
Chesterfield, MO 63017
Phone: (866) 902-3447 Fax: (314) 434-5234

USD TRUSS TO CONCRETE BEARING 423/426HD

Revised 8/2012 - New clips, concrete standard, screw values

DETAIL NO.

D-CON-1.1

CATEGORY

STANDARD DETAILS

DATE

8/2012