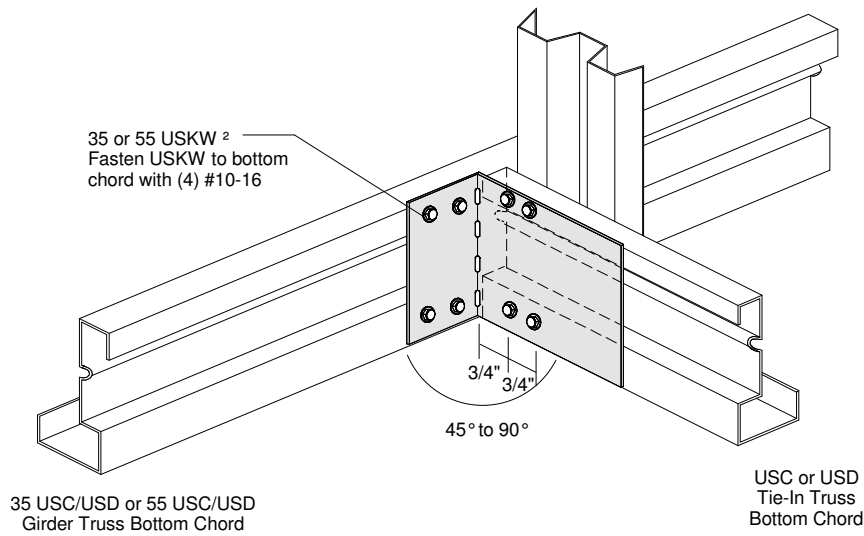


Allowable Tie-In Truss Reaction / Uplift (lbs)			
Angle = 45° to 90°			
Girder Bottom Chord	Tie-in Truss End Vertical		
	035	046	057
035	360 (4)	360 (2)	360 (2)
046	360 (4)	530 (4)	530 (3)
057	360 (4)	615 (4)	615 (4)
073	360 (4)	615 (4)	755 (4)
Angle = 135°			
All	205 (4)	250 (3)	250 (3)

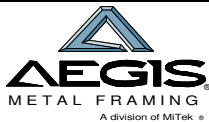
() - indicates number of screws into tie-in truss vertical



Allowable Tie-In Truss Reaction / Uplift (lbs)				
Angle = 45° to 90°				
Girder Bottom Chord	Tie-in Truss Bottom Chord			
	035	046	057	073
035	520	740	760	760
046	520	740	870	1060
057	520	740	870	1165
073	520	740	870	1165

Notes:

1. USKW flange orientation at girder may be as shown or reversed to allow for screw installation.
2. 35USKW can not be used with 55USC/USD.



www.AegisMetalFraming.com

14515 N. Outer 40 Drive - Suite 110
Chesterfield, MO 63017

Phone: (866) 902-3447 Fax: (314) 434-5234

TRUSS TO TRUSS CONNECTION
35/55 USKW to Back Face of Girder

DETAIL NO.

US2US-9.1

CATEGORY

STANDARD DETAILS

DATE

2/2010